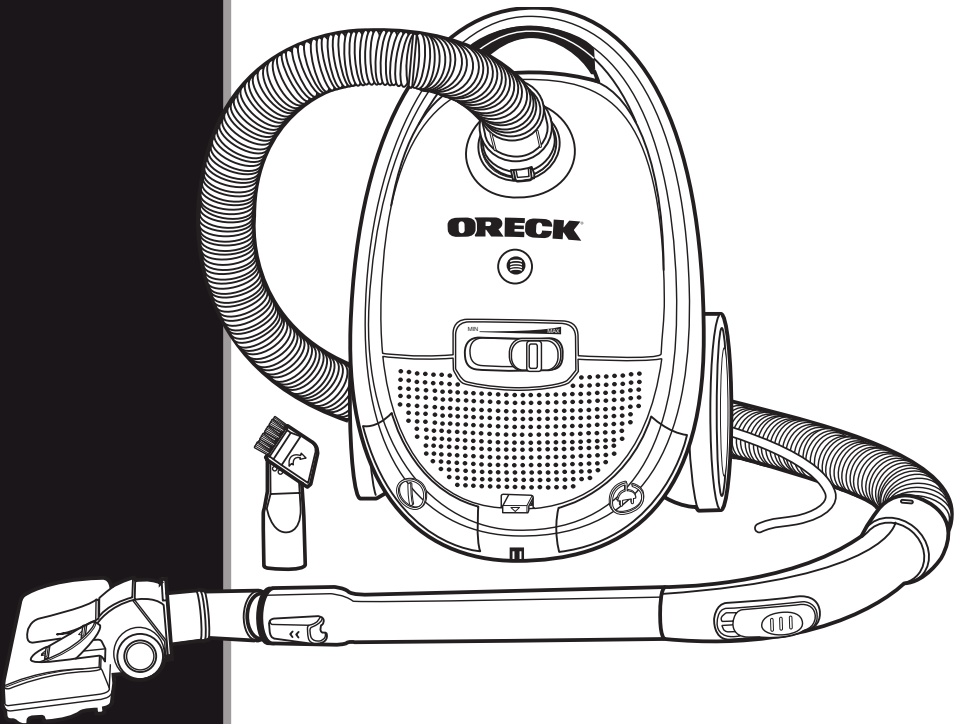


# ORECK®

## Oreck Quest™ Compact Cylinder

### User's Guide



### **Important!**

Read this manual carefully, and keep for future reference.

# Enjoy

**Thank You** for purchasing an Oreck Quest™ Compact Cylinder!  
This state of the art vacuum cleaner will help you have a healthier clean home.

At Oreck we understand that our customers are unique and expect superior service. To meet your needs, we offer different customer service options to work with your lifestyle and preferences.

## Call



To speak with Oreck Customer Care  
**0845 603 0153**

## Click



On the web, go to **[www.oreck.co.uk](http://www.oreck.co.uk)**

# Contents

<b>General Warnings</b> .....	<b>4</b>
Environment .....	4
Operation.....	4
<b>Parts</b> .....	<b>6</b>
Product Components & Accessories .....	6
<b>Assembly</b> .....	<b>7</b>
Assembling the Oreck Quest™ Compact Cylinder.....	7
<b>Use</b> .....	<b>8</b>
Operating the Vacuum .....	8
<b>Maintenance</b> .....	<b>9</b>
Replacing the Disposable Filter Bag .....	9
Cleaning/Replacing the Motor Filter .....	10
Cleaning/Replacing the Exhaust Filter.....	11
<b>Troubleshooting</b> .....	<b>12</b>
<b>Replacement Parts</b> .....	<b>13</b>
<b>Warranty</b> .....	<b>14</b>



# IMPORTANT SAFETY INSTRUCTIONS

When using an electrical appliance, basic precautions should always be followed, including the following:

### **Read all instructions before using this vacuum cleaner**

**WARNING!** To reduce the risk of fire, electric shock, or injury:

- The vacuum is intended for household use only.
- Use the vacuum only as described in this manual.
- Use only manufacturer's recommended attachments.

### **Environment**

Use of the vacuum outdoors or on wet surfaces may result in damage to the appliance and void the warranty. Do not use outdoors or on wet surfaces.

Use of the vacuum on stairs may cause imbalance, slippage or tumbling. Always check your balance and ensure your footing when cleaning on stairs.

Use of the vacuum in an enclosed space containing flammable, explosive materials or toxic vapours may result in an unexpected spark or fire. Do not use the vacuum in such an enclosed space. Always check exposed wiring and wire connections before use.

### **Operation**

This appliance has powerful suction capability. Do not allow it to be used as a toy and always maintain close attention when used by or near children.

Loose clothing, jewellery and long hair may become entangled in the suction of the vacuum and cause personal injury. Always keep loose clothing, jewellery, fingers and all parts of body away from openings.

Use of the vacuum with an opening blocked may reduce air-flow. Keep all openings free of dust, lint, hair etc. Ensure the filter bag assembly is in place before use.

Improper handling of the power cord may result in wiring, connection damage and potential sparking or shock. Always follow these instructions when handling the power cord:

- Do not pull or carry the vacuum by the cord
- Do not use the cord as a handle
- Do not unplug the vacuum by pulling on the cord
- Do not close a door on the cord
- Do not pull the cord around sharp edges or corners
- Keep the cord away from heated surfaces
- Do not run the vacuum or other appliance over the cord

A damaged cord or plug may cause a spark, shock and fire. Always grasp the plug, not the cord, when unplugging the vacuum. If the supply cord is damaged, it must be replaced by the manufacturer or its service agent or similarly qualified person in order to avoid a hazard.

Always check the cord and plug before use. If appliance is not working as it should, has been dropped, damaged, left outdoors, or dropped into water, return it to an Oreck Approved Service Centre or call Customer Care on 0845 603 0153.

- Do not use the machine without a motor protection filter installed

This appliance is not intended for use by persons (including children) with reduced physical, sensory or mental capabilities or lack of experience or knowledge. They should be given supervision and instruction in the use of the appliance by a person responsible for their safety.

If abnormal noise, smell, smoke or any other failure or breakage is found during the operation, you should turn off the switch and unplug it. Then contact your Oreck Approved Service Centre for repair. Do not attempt to repair by yourself.

Using the vacuum with wet hands and on wet surfaces may result in unexpected shock, slippage and personal injury. Do not handle the plug or appliance with wet hands or on wet surfaces.

Vacuuming burning or smoking objects, flammable or combustible liquids and toxic material may result in a fire and personal injury. Do not vacuum burning or smoking objects, flammable or combustible liquids.

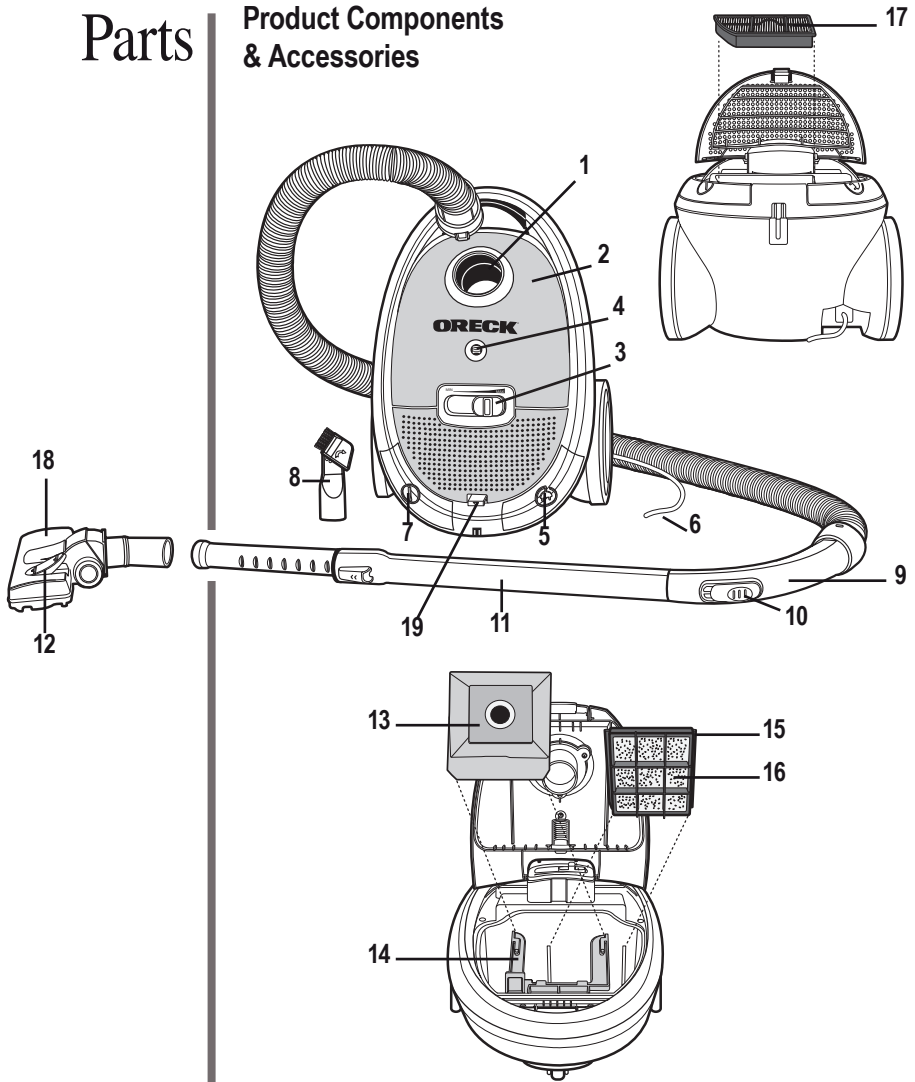
Unplugging the vacuum while the controls are ON may cause sparking and fire. Turn OFF all controls before unplugging. Do not leave appliance unattended when plugged in. Unplug from outlet when not in use and before servicing.

- This appliance is not intended for use by persons (including children) with reduced physical, sensory or mental capabilities or lack of experience or knowledge. They should be given supervision and instruction in the use of the appliance by a person responsible for their safety.

**SAVE THESE INSTRUCTIONS**  
**Residential Use Only**

# Parts

## Product Components & Accessories

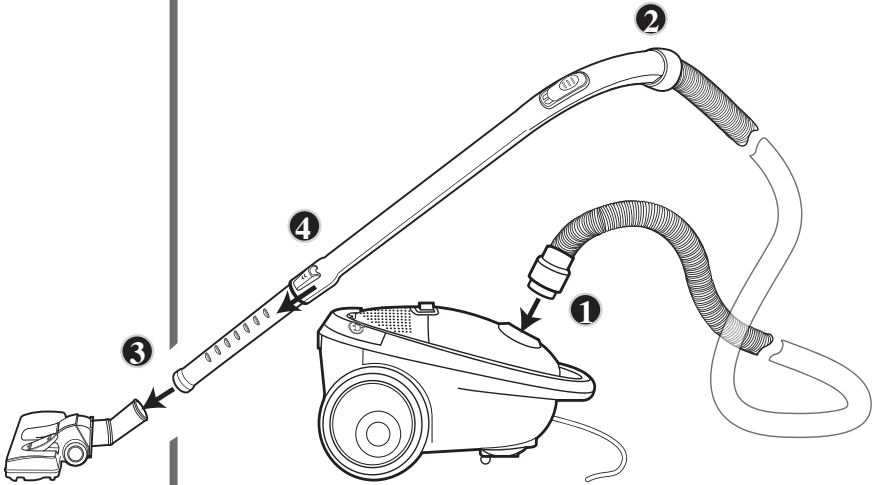


- |                                 |                              |
|---------------------------------|------------------------------|
| 1. Intake                       | 11. Telescopic Wand          |
| 2. Top Cover                    | 12. Bare Floor Adjustment    |
| 3. Variable Speed Slide Control | 13. Disposable Filter Bag    |
| 4. Bag Full Indicator           | 14. Removable Bag Dock       |
| 5. Cordwinder Pedal             | 15. Motor Filter Grill       |
| 6. Power Cord                   | 16. Motor Filter             |
| 7. Power ON/OFF Pedal           | 17. Exhaust Filter           |
| 8. 2-in-1 Crevice Tool          | 18. Multi-Surface Floor Tool |
| 9. Handle with Hose             | 19. Release Tab              |
| 10. Suction Control             |                              |

# Assembly

## Assembling the Oreck Quest™ Compact Cylinder

1. Connect hose by firmly inserting end of hose into cylinder intake opening.
2. Firmly press handle nozzle into telescopic wand.
3. Insert smaller end of telescopic wand into the multi-surface floor tool or 2-in-1 crevice tool.
4. Extend telescopic wand by pushing button on wand and pulling out to extend to desired length.

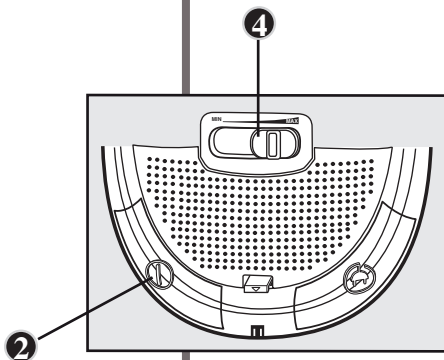


# Use

## Important!

Make sure disposable filter bag is in place. **DO NOT** operate the cleaner without a dust bag.

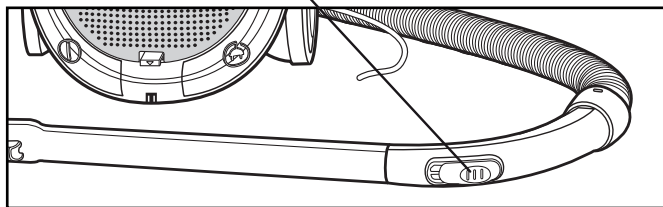
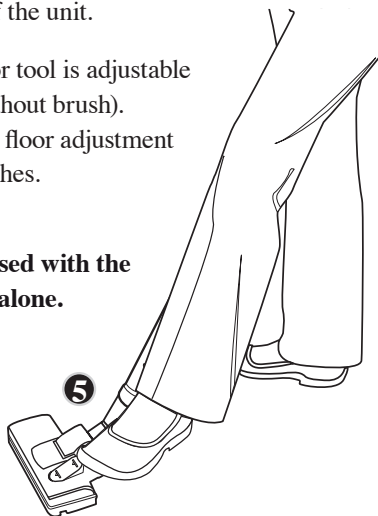
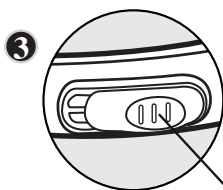
## Operating the Vacuum



1. Pull plug from unit and insert into wall outlet.
2. Press the ON/OFF pedal located at the rear of the cylinder to turn on.
3. To adjust suction, use the suction control on the handle.
4. To adjust the power of the motor, use the variable slide control on top of the unit.

5. The multi-surface floor tool is adjustable for use on carpets (without brush). Gently step on the bar floor adjustment switch to engage brushes.

**Note: Accessories can be used with the telescopic wand or handle alone.**



# Maintenance

## ⚠ WARNING!



Performing maintenance on the vacuum while it is plugged into a wall outlet may result in unexpected vacuum operation, shock and personal injury. Always turn the vacuum OFF and unplug before performing inspection and maintenance.

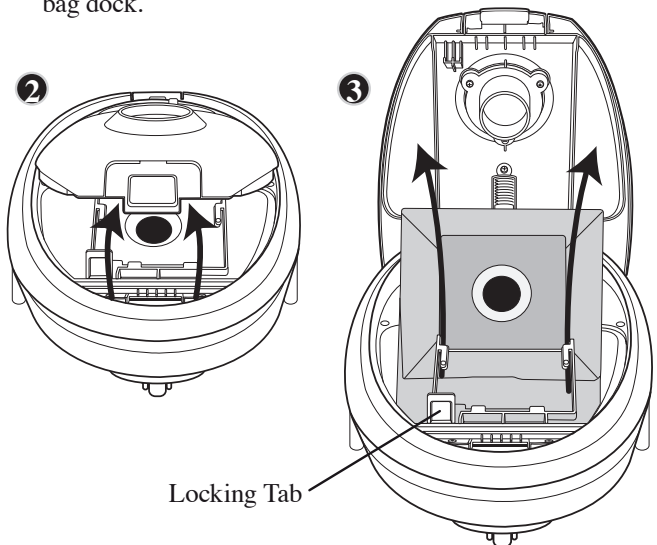
If the power cord is damaged it should only be replaced by Oreck UK, an Oreck Approved Service Centre, or a certified maintenance centre or person.

### Replacing Disposable Filter Bag

To keep your cleaner operating at maximum efficiency, change the dust bag frequently or when the bag full indicator turns red.

#### Bag Removal:

1. Switch the unit off. Unplug unit from the wall outlet.
2. Open top cover by lifting the latch in front of the intake.
3. Remove disposable filter bag by raising up on the removable bag dock and lifting it out of the unit.
4. Gently pull bag cardboard collar upward out of the bag dock.

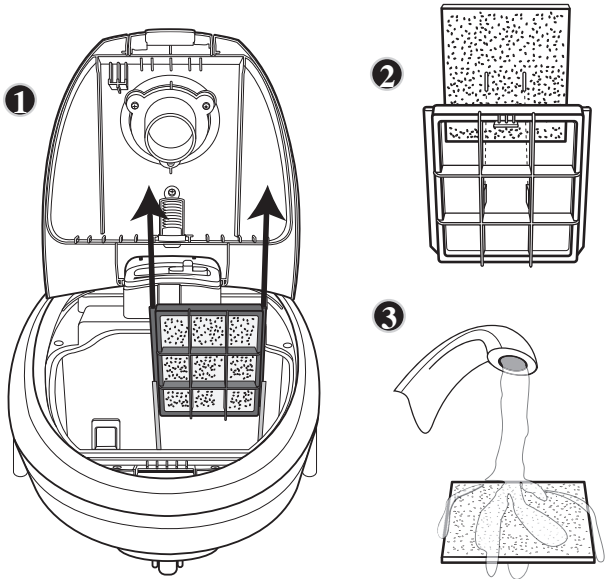


### Bag Installation:

1. Insert a new bag into dock by sliding cardboard collar under clamps until bag is fully inserted.
2. Insert tab of bag dock into wall brackets until locking tab locks into place.

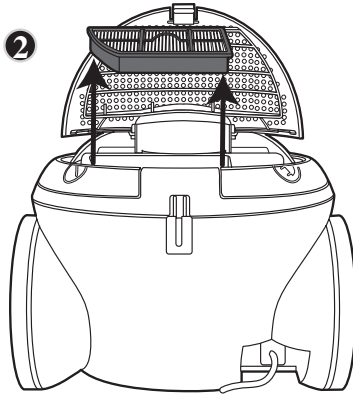
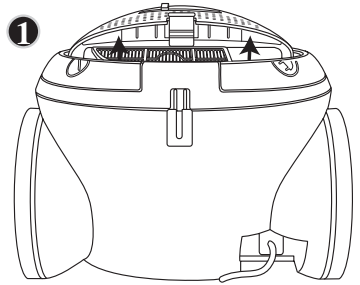
### Cleaning/Replacing the Motor Filter:

1. Remove the bag dock to access the motor filter grill. Slide motor filter grill up and out of the unit.
2. Remove motor filter from grill.
3. Wash motor filter with warm water without any additives. Reinstall the filter after it has had time to thoroughly dry. Note: If the filter is damaged, it should be discarded and replaced with a new filter.
4. Replace the dry filter over the tabs in the motor filter grill.



## Cleaning/Replacing the Exhaust Filter:

1. Lift tab in perforated top cover to open.
2. Grasp handle on exhaust filter and lift to remove.
3. Wash exhaust filter with warm water without any additives. Reinstall the filter after it has had time to thoroughly dry.



**Note: If the filter is damaged, it should be discarded and replaced with a new filter.**

# Trouble- shooting

## ⚠ WARNING!

**Unplug cord from electrical outlet before servicing.**

**CHECK THESE FIRST:**

- Is the disposable filter dust bag full?
- Are pores of filter dust bag clogged with powder or dust?
- Is anything clogging the hose, wands, power nozzle & accessories?

Problem	Possible Source	Areas to Check
<b>Cleaner will not run</b>	Not plugged in properly.	Be sure cleaner is firmly plugged into wall outlet.
	No electricity in wall outlet.	Check electrical source—fuse or circuit breaker.
	Hose not connected to unit.	Connect hose.
<b>Cleaner does not pick up</b>	Filter bag is full.	Replace filter bag. See “Replacing Disposable Filter Bag”.
	Motor Filter is blocked.	Clean and/or replace filter. See “Cleaning/Replacing the Motor Filters”.
	Hose, wand or accessories are clogged.	Clear obstruction.
	Suction control on handle is open.	Close suction control.

**ALL OTHER SERVICING SHOULD BE DONE BY AN ORECK APPROVED SERVICE CENTRE.**

**Customer Care**

**0845 603 0153**

Whenever calling, please be sure to have your model number available.

# Accessories

Part	Number
Replacement Disposable Filter Bags, 12 pack	PK12MC1000
(1) Advanced Exhaust Filter & (1) Motor Filter	MC1000FILTS

# Warranty

ORECK MANUFACTURING COMPANY: (Oreck, 1400 Salem Road, Cookeville, TN, US 38506) gives you the following limited warranty for this product only if it was originally purchased for residential use, not resale, from Oreck or an Oreck Approved Retailer, it has not been used for commercial use, and it has been used and maintained in accordance with the product's owner's manual.

Oreck will repair or replace, free of charge, to the original purchaser, any part that is found to be defective in material or workmanship within three (3) years of the date of purchase. This limited warranty applies to normal domestic use. Any commercial use of this product will void this limited warranty. Reconditioned units carry a 6 month warranty from date of Purchase.

This limited warranty does not cover the replacement of expendable or consumable parts such as carbon motor brushes, edge brushes, drive belts, brushes, disposable bags, wheels, lights, light bulbs and other parts subject to normal wear unless they are defective in material or workmanship.

This limited warranty does not apply to any part subjected to accident, abuse, commercial use, alteration, misuse, damage caused by act of God, the use of voltages other than indicated on the rating plate displayed on this product or service of this product by other than Oreck or an Oreck Approved Service Centre. Oreck does not authorise any person or representative to assume or grant any other warranty obligation with the sale of this product.

Oreck's limited warranty is valid only if you retain proof of purchase from Oreck or an Oreck Approved Service Centre for this product. If you purchase this product from any other source, your purchase is "AS IS," which means Oreck grants you no warranty, and that you, not Oreck, assume the entire risk of the quality and performance of this product, including the entire cost of any necessary servicing or repairs of any defects.

Oreck's liability for damages to you for any costs whatsoever arising out of this statement of limited warranty shall be limited to the amount paid for this product at the time of original purchase, and Oreck shall not be liable for any direct, indirect, consequential or incidental damages arising out of the use or inability to use this product.

ALL EXPRESS AND IMPLIED WARRANTIES FOR THIS PRODUCT, INCLUDING IMPLIED WARRANTIES OF MERCHANTABILITY AND FITNESS FOR A PARTICULAR PURPOSE, ARE LIMITED IN DURATION TO THE WARRANTY PERIOD, AND NO WARRANTIES, WHETHER EXPRESS OR IMPLIED, WILL APPLY AFTER THIS PERIOD.

This warranty gives you specific legal rights, and you may also have other rights. If appropriate, see additional information for extended warranty.

UK & EIRE Distributor:

Integrity (Europe) Ltd, 32 Marsh Green Road West,  
Exeter, EX2 8PN.

**ORECK®**

©2011 Oreck Holdings, LLC.

All rights reserved. All marks, text, logos, product configurations and registered trademarks are owned and used under the authority of Oreck Holdings, LLC

**82401-01 REV A 05/11 ECN R-10478**

**UK edition**

OK2412 DF