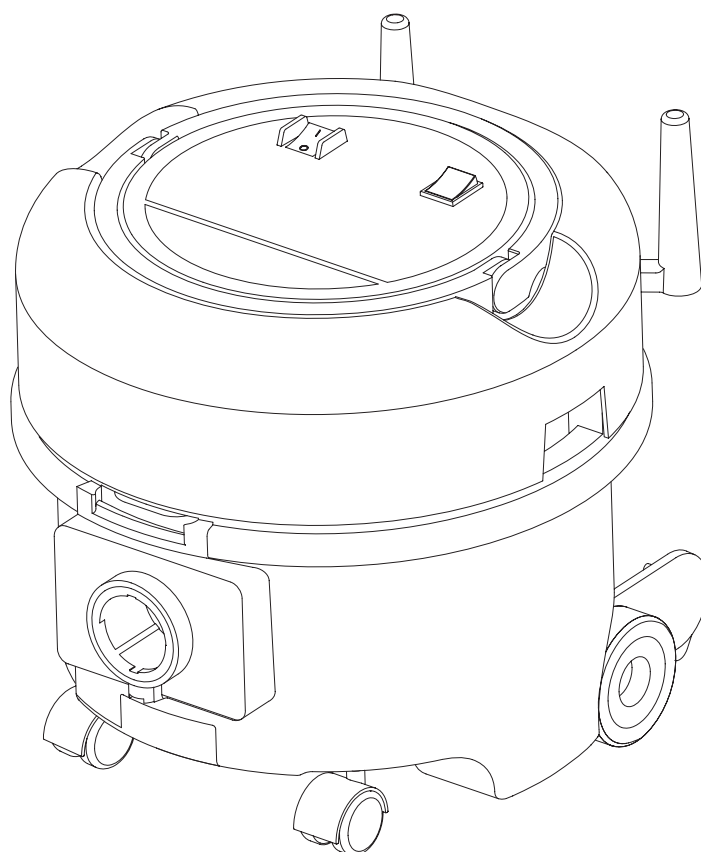


# DRECK

## Effortless Cleaning

# bizzy two

## User Guide & Warranty



**WARNING**

READ ALL INSTRUCTIONS BEFORE  
USING THIS VACUUM CLEANER

to reduce the risk of fire, electric shock, or injury:

► For Dry Use Only

## Table of Contents

Maintenance and Customer Service .....page 2  
 Important Safety Instructions, Assembly .....page 2  
 Operating Instructions, General Information.....page 3  
 Replacing the HEPA Filter .....page 4  
 Replacing and Cleaning the Motor Filter .....page 4  
 Troubleshooting Guide .....page 4  
 Warranty, Replacement Parts.....page 4

## Maintenance and Customer Service

Your Oreck vacuum cleaner is a product of precise engineering. The motor bearings are permanently lubricated and should not be oiled. If you require additional information or have problems with your Oreck appliance, please call Oreck Customer Services on 0845 603 0153.

## Plug Replacement

The wires in the mains lead are coloured in accordance with the following code:

**Blue: Neutral      Brown: Live**

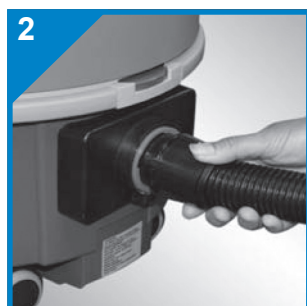
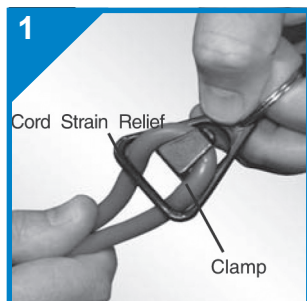


As the colours of the wires in the mains lead of this appliance may not correspond with the coloured markings identifying the terminals in your plug, proceed as follows; The wire which is coloured Blue must be connected to the terminal which is marked with the letter N or coloured Black. The wire which is coloured Brown must be connected to the terminal which is marked with the letter L or coloured Red.

Neither wire is to be connected to the earth pin of the 3 pin plug. Replace fuse with same size fuse.

## Assembly

1. Ensure the power cord is resting in the cord strain relief. Should the power cord come loose from the cord strain relief, reattach it to preserve the life of the power cord. To reattach the cord strain relief, grasp the power cord 10-12cm from the unit. Pinch power cord together and slide approximately 3-5cm through hole in cord strain relief. Carefully slide power cord over clamp on the cord strain relief and pull excess until the power cord is seated under clamp (fig 1).
2. Insert the hose into the intake and turn clockwise to lock hose in place (fig 2).



Thank you for purchasing the Oreck Bizzy vacuum cleaner. To speak with an Oreck representative call 0845 603 0153.

## IMPORTANT SAFETY INSTRUCTIONS

When using an electrical appliance, basic precautions should always be followed, including the following:

### WARNING

to reduce the risk of fire, electric shock, or injury:

- Do not leave vacuum cleaner unattended when it is plugged in. Unplug from outlet when not in use and before removing filters.
- Do not immerse the vacuum into water or other liquids.
- Do not pick up building materials such as plaster dust, wood shavings, sand etc.
- Use only as described in this manual. Use only manufacturer's recommended attachments.
- Do not use with damaged cord or plug. Do not use vacuum cleaner if it has been dropped, damaged, left outdoors, or dropped into water. Return appliance to Oreck or an Approved Oreck Service Centre for examination, repair or adjustment.
- Do not pull or carry by cord. Do not use cord as a handle, close a door on cord, or pull cord around sharp edges or corners. Do not run appliance over cord. Keep cord away from heated surfaces.
- Do not unplug by pulling on cord. To unplug, grasp the plug, not the cord.
- Do not handle plug or vacuum cleaner with wet hands.
- Do not use the vacuum cleaner to pick up large objects or objects that are likely to damage the vacuum cleaner.
- Keep hair, loose clothing, fingers, feet and all parts of body away from openings, rotating agitator and other moving parts. Do not operate cleaner in bare feet or when wearing open toe shoes.
- Do not pick up hot coals, cigarette butts, matches or any hot, smoking, or burning objects.
- Do not pick up hard or sharp objects such as glass, nails, screws, coins, etc.
- Do not use without all filters in place. Use ONLY filters and accessories provided by Oreck or an Approved Oreck Service Centre. Failure to do so will void the warranty.
- Turn off all controls before plugging or unplugging vacuum cleaner into electrical outlet.
- Use extra care when vacuuming on stairs.
- Do not pick up flammable or combustible materials (lighter fluid, gasoline, kerosene, etc.) or use in the presence of explosive liquids or vapour.
- Do not pick up toxic material (chlorine bleach, ammonia, drain cleaner, etc.)
- Do not use in an enclosed space filled with vapour given off by oil based paint thinner, moth proofing substances, flammable dust, or other explosive or toxic vapours.
- Use only on dry, indoor surfaces. Damp or wet surfaces will cause damage to the vacuum cleaner and is dangerous to the user. Damage caused by use on wet or damp surfaces is not covered under warranty.
- The use of an extension cord is not recommended.
- Do not put any objects into openings. Do not use with any opening blocked.
- Keep free of dust, lint, hair and anything else that may reduce air flow.
- Always store your appliance indoors in a cool, dry area.
- Keep your work area well lit.
- Keep end of hose, wands and other openings away from your face and body.

**SAVE THESE INSTRUCTIONS  
For Domestic Use Only**

## Operating Instructions

Make sure disposable paper filter dust bag is in place. Don't operate the cleaner without a paper filter dust bag. Plug the power cord into an electrical outlet and press the "On" switch located on top of the unit.

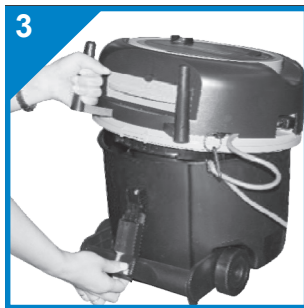
### High-Low Switch

This machine is equipped with a High/Low switch. You can use it to control the speed of the suction motor.

SWITCH	SPEED	ACTION
Low	Quiet Mode	Reduced noise/suction
High	Normal	Increased noise/suction

### Removing & Replacing the Disposable Dust Filter Bag

1. Release latch on the side of the unit and remove the top cover (fig 3).
2. Remove hose from intake. Fold ends of filter bag together and pull up on cardboard tag to automatically close the bag (fig 4).



3. Insert a new filter bag by sliding the cardboard collar into the slots located on the bag dock until bag is fully inserted.
4. Replace hose and top cover and fasten latch (fig 2).



### Using the Extension Wand & Accessory Tools

**Extension Wand:** Insert the nozzle firmly into the large end of the extension wand. To extend the wand, push the button on the wand forward and pull the extension out to the desired length (fig 5).

**Accessory Tools:** The accessory tools can be used either with or without the extension wand. To attach an accessory tool with the extension wand, firmly slide the small end of the extension wand directly into the desired accessory tool. To attach an accessory tool without the extension wand, firmly slide the nozzle directly into the desired accessory tool.

### Operating Recommendations

- When inserting a new disposable paper filter dust bag, fold out the bag and install it in the yellow holder and puff out the bag.
- When the disposable filter dust bag is full, REPLACE IT.
- If at any time the unit does not pick up properly or makes an unusual noise, STOP OPERATION and service.
- Although your vacuum will pick up pins, paper clips, and

### Quick Release Cord Wrap

In order to extend the life of the power cord and prevent fracture, grasp the cord close to the unit and roll the cord from the machine outwards (fig 6). When finished, loop the power cord and hang on the quick release cord wrap (fig 7).



### Whizzo Warning Signal

This vacuum is installed with a warning signal system called Whizzo. A warning signal will sound when the dust bag is full, the filters are dirty or a hose is blocked. Switch off the unit and inspect the floor tool, hose, dust bag and filter (fig 7).



## General Information

The performance of your new vacuum cleaner greatly depends upon care and maintenance. The instructions in this manual will guide you in performing basic care and maintenance. To obtain the most satisfying years of service read the instructions and keep them handy for future reference.

### Disposable Paper Filter Dust bags

Disposable paper filter dust bags play a very important role in the efficiency of your Oreck vacuum cleaner. The purpose of the filter bag is to trap dirt, but at the same time it must be porous enough to allow air to pass through. If the filter bag becomes clogged, no air can pass through the cleaner and cleaning cannot take place, regardless of the cleaner's power.

To keep your cleaner operating at maximum efficiency, change the dust bag frequently. Be sure the disposable paper filter dust bag is installed properly.

**All paper dust bags are not the same. Your Oreck disposable dust bags have been designed to be used with the Oreck Bizzy Two cleaner. Using bags other than genuine Oreck disposable bags will affect the cleaning ability of your cleaner and could cause damage to it.**

other small objects, it is recommended that these be removed from the floor before you vacuum. Failure to do so may result in permanent damage to the unit.

- Change the disposable filter dust bag at least once a month, even if it is not full! The collected dust in the dust bag can cause odour, attract moisture, and can affect the efficiency of the cleaner.
- **Use caution when vacuuming over rug edges & fringe.**

## General Information (continued)

### General Cleaner Care

At least once a month, check the disposable exhaust filter and motor filter for clogs. If the filters become clogged, no air can pass through the cleaner and cleaning cannot take place, regardless of the cleaner's power. See "Replacing the Exhaust Filter" and "Replace and Cleaning the Motor Filter".

Also wipe the outside of the cleaner with a damp cloth. A little preventative maintenance will keep your cleaner looking new and will ensure continued cleaning effectiveness.

### Overheating

The temperature of the suction motor is measured constantly. If the temperature becomes too high, the sensor will switch off the suction motor. Check whether the suction system is blocked. The sensor will be automatically switched on again after the sensor and the motor have cooled down sufficiently. You can now start to use the machine again.

## Replacing the HEPA Filter

**WARNING: Unplug cord from electrical outlet before servicing.**

1. Remove and dispose of HEPA filter cartridge from vacuum cleaner (fig 8).
2. Slide new HEPA filter cartridge into vacuum cleaner.



## Troubleshooting Guide

**WARNING: Unplug cord from electrical outlet before servicing.**

Problem	Possible Source	Areas to Check
Vacuum motor is off	Not plugged in properly.	Be sure plug is firmly plugged into wall outlet
	No electricity in wall outlet.	Check electrical source (fuse or circuit breaker)
	Switch in "off" position.	Position switch to "on" position
Low suction	Sensor temperature too high.	Check for air obstruction. Let the motor cool down.
	Dust bag full.	Replace Dust bag. See "Removing and Replacing Dust Bag".
	Hose not installed properly.	Re-install hose.

**ALL OTHER SERVICING SHOULD BE UNDERTAKEN BY ORECK OR AN APPROVED ORECK SERVICE CENTRE.**

Whenever calling, please be sure to have your model and serial number to hand.

## Replacing and Cleaning the Motor Filter

**WARNING: Unplug cord from electrical outlet before servicing.**

Grasp the motor filter firmly and pull upwards until it slides off the housing. To replace, ensure that the black side of the filter lines up with the closing clip. Push it down over the motor unit.



## MANUFACTURE WARRANTY

Clean Source Technologies "CST" (Hoppenkuil 27A,5626 DD, Eindhoven, NL) gives you the following limited manufactures warranty for this product only if it was originally purchased for domestic use.

CST will repair or replace, free of charge, to the original purchaser, any part that is found to be defective in material or workmanship within one (1) year. This limited warranty applies to domestic use only. Drive belts, disposable bags, and other parts subject to normal wear are not covered by this limited warranty.

This limited warranty does not apply to any part subjected to accident, abuse, alteration, misuse, damage caused by fire or act of God, or the use of voltages other than indicated on the serial number plate of this product or service of this product by anyone other than Oreck or an Oreck Approved Service Centre.

Oreck Manufacturing Company and CST does not authorise any person or representative to assume or grant any other warranty obligation with the sale of this product.

CST's limited warranty is valid only if you retain proof of purchase from Oreck or an Oreck Approved Service Centre for this product. If you purchase this product from any other source, your purchase is "AS IS," which means CST grants you no warranty, and that you, not CST, assume the entire risk of the quality and performance of this product, including the entire cost of any necessary servicing or repairs of any defects.

CST's liability for damages to you for any costs whatsoever arising out of this statement of limited warranty shall be limited to the amount paid for this product at the time of original purchase. CST shall not be liable for any direct, indirect, consequential or incidental damages arising out of the use this product.

ALL EXPRESSED AND IMPLIED WARRANTIES FOR THIS PRODUCT, INCLUDING IMPLIED WARRANTIES OF MERCHANTABILITY AND FITNESS FOR A PARTICULAR PURPOSE, ARE LIMITED IN DURATION TO THE WARRANTY PERIOD, AND NO WARRANTIES, WHETHER EXPRESS OR IMPLIED, WILL APPLY AFTER THIS PERIOD.

This warranty is in addition to your statutory and other legal rights.