

**STRONG ENOUGH TO PICK UP
A 16-LB BOWLING BALL.™**

ORECK® XL®

SIMPLY AMAZING™



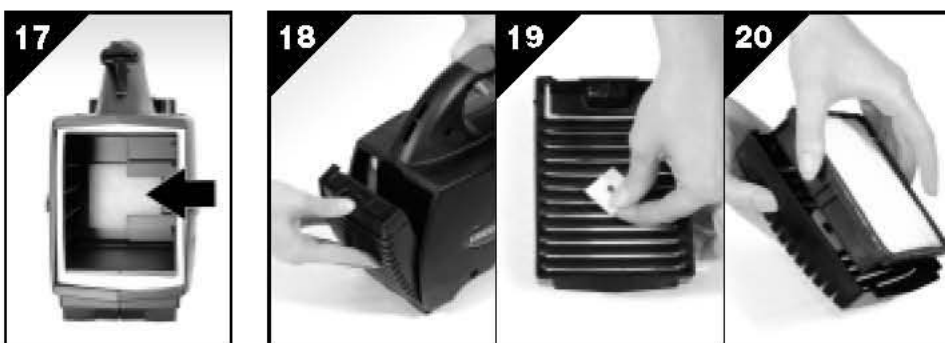
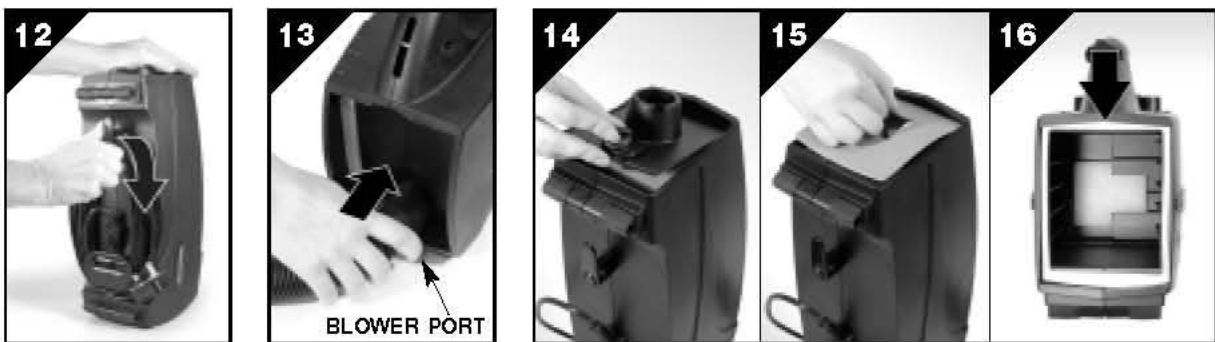
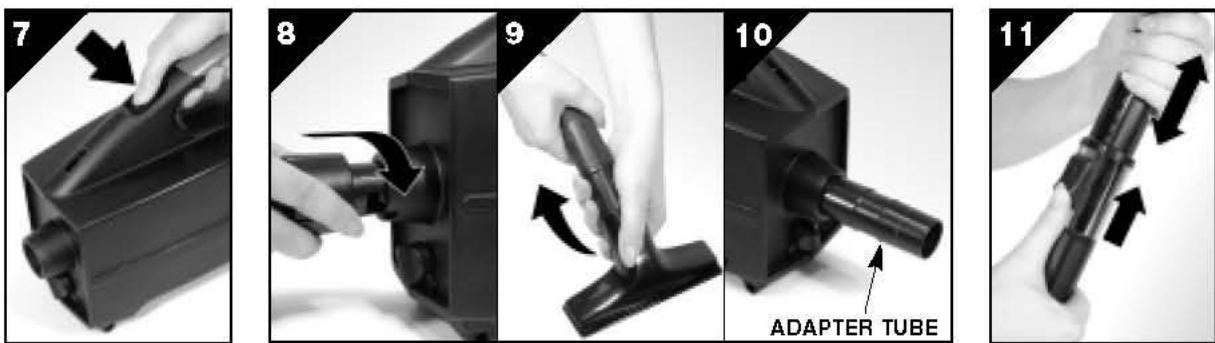
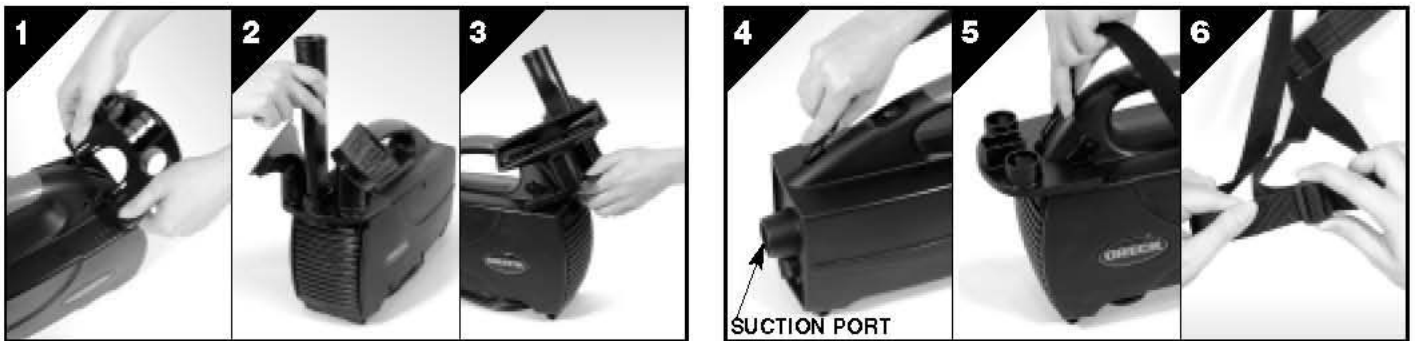
USER'S GUIDE
**Compact
Canister
Vacuum**

BB1005

**•IMPORTANT•
SAVE THIS BOOKLET!**

Includes:

- Safety Warnings
- Parts List
- Operating Instructions
- Maintenance
- Warranty
- Trouble Diagnosis
- Accessories List



BEFORE OPERATING CLEANER, READ ALL INSTRUCTIONS IN THIS MANUAL CAREFULLY.

Table of Contents

Safeguards, Important Electrical Information,	
Important Safety Instructions.....	page 2
Warranty, Parts List, Accessories.....	page 3
Assembly, Polarized Plug Notice, To Operate,	
Maintenance	page 4
Maintenance & Customer Service,	
Troubleshooting Guide.....	page 5

Safeguards



WARNING: Unplug cord from electrical outlet before servicing.

- **IMPORTANT:** Make sure filter bag is in place. Do not operate cleaner without filter bag. Damage to motor may occur.
- Be sure bag gasket is in place. If the white bag gasket is damaged or lost, replace at once.
- For best results, change disposable filter bag regularly even if it is not completely full. An extremely dirty bag or a bag close to full will affect the suction of the cleaner and can create excessive motor heat that could damage the motor. A good practice is to change the filter bag every 30 days even if it is not full.
- Do not pick up moist materials or liquids.
- Clean your vacuum cleaner with a damp (not wet) cloth in the disposable bag cavity and the outside of canister unit.

Important Electrical Information

The wires in this main lead are coloured in accordance with the following code:

Blue-Neutral Brown-Live

If the colours of the wires in the main lead of this appliance do not correspond with the coloured markings identifying the terminals in your plug, proceed as follows:

The wire which is coloured Blue must be connected to the terminal which is marked with the letter **N** or coloured Black. The wire which is coloured Brown must be connected to the terminal which is marked with the letter **L** or coloured Red. **Do not make any connection to the terminal marked E or coloured green and yellow.**

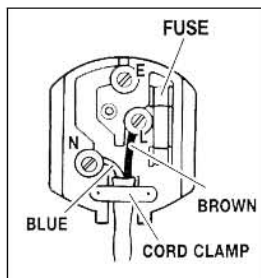
This appliance is double insulated and no earth connection is necessary.



If you remove the plug from power supply cord, dispose of it. A shock hazard could result if incorrect plug is inserted into a 13 AMP socket outlet.

When changing the fuse, use 5 AMP or same size replacement fuse.

Never use the plug without the fuse cover fitted in place. The fuse carrier is red and hinged to the plug. Do not use the plug if it is different. If necessary, you may contact customer services for replacement fuse covers.



MOTOR PROTECTION SYSTEM: If fine materials such as soot, cement, plaster dust, copy machine powder, etc. are picked up, the bag surface may seal and cause the motor to shut off to avoid over-heating. If this happens, turn the switch off and unplug the cleaner. Replace filter bag. Check and clear any clogs in hose or accessories. After approximately 30 min. the motor will have cooled and the cleaner will be ready to use.

Note: The cleaner must remain unplugged for 30 minutes for motor to cool and system to reset.

IMPORTANT SAFETY INSTRUCTIONS

When using an electrical appliance, basic precautions should always be followed, including the following:

READ ALL INSTRUCTIONS BEFORE USING THIS VACUUM CLEANER **WARNING**



**To reduce the risk of fire,
electric shock, or injury:**

- Do not leave appliance unattended when plugged in. Unplug from outlet when not in use and before servicing.
- Do not use outdoors or on wet surfaces.
- Do not allow to be used as a toy. Close attention is necessary when used by or near children.
- Use only as described in this manual.
- Do not use with damaged cord or plug. If appliance is not working as it should, has been dropped, damaged, left outdoors, or dropped into water, return it to a service center. Call free on **0845 603 0153** for the service center nearest you.
- Do not pull or carry by cord, use cord as a handle, close door on cord, or pull cord around sharp edges or corners. Keep cord away from heated surfaces.
- Do not unplug by pulling on cord. To unplug, grasp the plug, not the cord.
- Do not handle plug or appliance with wet hands.
- Do not put any object into openings. Do not use with any opening blocked; keep free of dust, lint, hair and anything that may reduce air flow.
- Keep hair, loose clothing, fingers and all parts of body away from openings and moving parts.
- Do not use to pick up anything that is burning or smoking, such as cigarettes, matches, or hot ashes.
- Do not use without filter bag assembly in place.
- Turn off all controls before unplugging.
- Use extra care when cleaning on stairs.
- Do not use to pick up flammable or combustible liquids, such as gasoline or lighter fluid, or use in areas where they may be present.
- Do not use appliance in an enclosed space where flammable, explosive or toxic vapors are given off by oil base paint, paint thinner, some moth proofing substances, or in an area where flammable dust is present.
- Do not pick up toxic material such as chlorine bleach, drain cleaner, gasoline, etc. with this appliance.

SAVE THESE INSTRUCTIONS
Household Use Only

Maintenance and Customer Service

Your ORECK COMPACT CANISTER VACUUM is a product of precise engineering. The motor bearings are permanently lubricated and should not be oiled. If you require additional information or have problems with your ORECK appliance, you may call ORECK customer service or write to:

Telephone: 0845 603 0153

**Oreck UK
P.O. Box 107
Exeter
EX2 8ZQ**

Attention: Oreck Customer Service

Please specify the model number and serial/code number which can be found on the data plate on the bottom of the vacuum.

Save your sales or purchase slip. Should your ORECK appliance require warranty service in the U.S.A., present this slip to the Authorized Service Center as your proof of purchase date, or, in Canada, call customer service.

Troubleshooting Guide

PROBLEM	POSSIBLE SOURCE	AREAS TO CHECK
Cleaner Will Not Run	<ol style="list-style-type: none">1. Not plugged in properly2. No electricity in wall outlet.3. Motor protector tripped.4. Needs service.	<ol style="list-style-type: none">1. Be sure cleaner is firmly plugged into wall outlet.2. Check electrical source—fuse or circuit breaker.3. See Motor Protection System page 2.4. Take to service center or call for nearest service center.
Vacuum Will Not Pick Up Or Has Low Suction	<ol style="list-style-type: none">1. Filter bag is full.2. Hose/wand tool is clogged.3. Air leak due to missing or damaged gasket.	<ol style="list-style-type: none">1. Replace filter bag. See "Changing the Filter Bag," page 4.2. Remove obstructions.3. Replace gasket See page 4.
Tools/Wands Will Not Stay Together	<ol style="list-style-type: none">1. Proper friction fit not being obtained.	<ol style="list-style-type: none">1. Push and turn.

ALL OTHER SERVICING SHOULD BE DONE BY AN ORECK AUTHORIZED SERVICE CENTER.

**CALL CUSTOMER SERVICE HOT LINE
0845 603 0153**

Whenever calling, please be sure to have your model and serial number from data plate.

Warranty

ORECK MANUFACTURING COMPANY: (Oreck 21180 Johnson Road; Long Beach, MS, USA 39560 gives you the following warranty for this product only if it was originally purchased for residential use, not resale from Oreck or an Oreck Authorized Retail Dealer.)

Oreck will repair or replace, free of charge, to the original purchaser, any part that is found to be defective in material or workmanship within three (3) years of the date of purchase; ten (10) years on housing. This warranty applies to normal domestic use. Any commercial use of this product will void this warranty.

This warranty does not cover the replacement of expendable or consumable parts such as belts, brushes, bulbs, disposable bags and other parts subject to normal wear unless they are defective in material or workmanship.

This warranty does not apply to any part subjected to accident, abuse, alteration, misuse, damage caused by act of God, the use of voltages other than indicated on the serial number displayed on this product or service of this product by other than Oreck or a participating Factory Authorized Service Center.

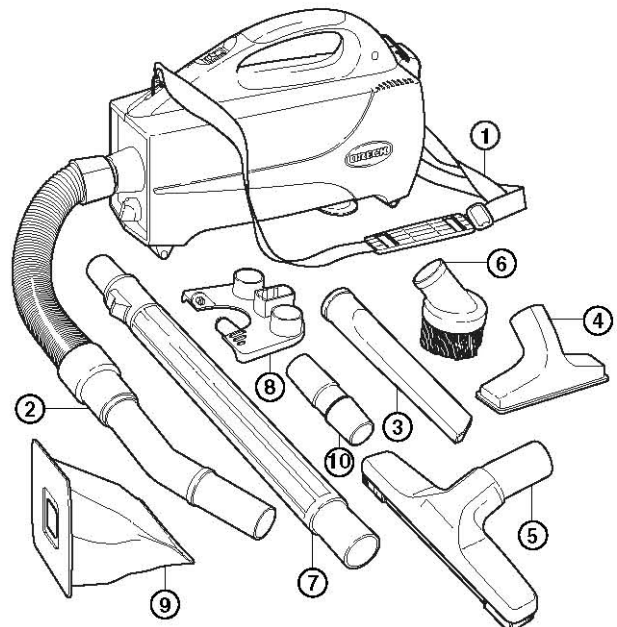
Oreck does not authorize any person or representative to assume or grant any other warranty obligation with the sale of this product.

Oreck's warranty is valid only if you retain proof of purchase from Oreck or an Oreck Authorized Retail Dealer for this product. If you purchase this product from any other source, your purchase is "AS IS;" which means Oreck grants you no warranty, and that you, not Oreck, assume the entire risk of the quality and performance of this product, including the entire cost of any necessary servicing or repairs of any defects.

This warranty is in addition to your statutory and other legal rights.

Ex-demonstration units carry a one year warranty.

Parts List



1. Adjustable shoulder strap
2. Long, extendable, flexible hose
3. Crevice tool
4. Upholstery tool
5. Horsehair bare floor and wall tool
6. Horsehair dusting brush
7. Adjustable extension wand
8. On-board tool caddy
9. Paper filter bags
10. Tool adapter tube for fitting tools directly to vacuum when not using hose.
 - HEPA filter (not shown)
 - Scent cartridge (not shown)

Accessories (Sold Separately)

ITEM	PART #
Replacement Hypo-Allergenic Filter Bags 12 Pk. with 1 Micro Filter	PKBB12DW
Replacement Micro Filter	72005-01
Replacement HEPA Filter	HF1000
Replacement White Bag Gasket	72017-02
Wire Tool Rack	BBRACK
Vinyl Tool Rack	CADDYBB
Fresh Air® Scent Cartridges	
Notes of Vanilla® 8pk	FA1PK
Spring Mulberries® 8pk	FA2PK
Blooming Jasmine® 8pk	FA3PK

Assembly

Attach Caddy and Insert Tools

- fig. 1** Locate caddy clip slots at top rear corners of canister handle. Place appliance on firm, non-slip surface or hold in your lap. Grasp handle firmly. Place one of caddy clip tabs inside slot on one side of handle and stretch the other tab around handle until the opposite tab inserts in slot.
- fig. 2** Insert crevice tool, brush and fabric tool into caddy in spaces provided.
- fig. 3** Caddy will lift up 90° to allow access to the HEPA filter cover.

Attach Shoulder Strap

- fig. 4** Clamp one end of shoulder strap in front slot located at front of handle.
- fig. 5** Clamp opposite end of shoulder strap in slot at back of handle.
- fig. 6** Adjust length by pulling strap through clip.

IMPORTANT: Before using shoulder strap, pull both ends to be sure it is secure.

To Operate

Plug cord into electrical outlet.

Power Switch

- fig. 7** Push power switch to "ON" (I) position.

Hose and Tool Installation

- fig. 8** The flexible hose uses a Shurlock™ locking system that prevents hose removal unless intended. To install hose, align "J" slot in hose coupling with tab inside the suction port. Insert hose into suction port. Twist collar clockwise to lock hose coupling in port. Twist counterclockwise and pull to remove hose.
- fig. 9** The adjustable extension wand and cleaning tools supplied with your Oreck XL Compact Canister Vacuum lock together with friction. **Twist and push** to be sure they lock tightly when installing. Twist and pull to remove.
- fig. 10** When installing tools directly to blower or suction port without using hose, tool adapter tube must be used.

Adjustable Extension Wand

- fig. 11** To adjust extension wand, press release button and pull inner tube to desired length. Tube will lock when button is released. To shorten length, press release button and push inner tube.

For Easy Cord Storage

- fig. 12** Wrap cord around the cord wrap and cord dump located on bottom of the canister. To release cord, twist the cord dump.

Blower Port

- fig. 13** Remove HEPA Filter cover and filter at back of machine. Firmly insert flexible hose into blower port.

Maintenance

Changing the Filter Bag

- fig. 14** Use only genuine ORECK XL filter bags. Stand unit on its back. Twist knob counterclockwise to release and lift out front plate.
- fig. 15** Remove used bag and insert fresh bag. The cardboard rim fits smoothly into the recessed top. Align tabs on front plate with slots in housing and replace the front plate. Close unit by turning knob clockwise.
- fig. 16** **IMPORTANT:** The white bag gasket glued in the housing must be in place or unit will not operate properly. Replace if needed.
- NOTE:** The disposable inner filter bag must be replaced once a month even if it is **not** full. Change it more often if it is used in extremely dirty areas. **Increase the cleaning power of your vacuum by changing the bag often.**

Replacing the Micro Filter

Remove filter bag by following the *Changing the Filter Bag* instructions.

- fig. 17** Remove old micro filter from bottom inside unit. Replace with new filter.
- NOTE:** A replacement filter is supplied in each package of 12 ORECK XL filter bags or you may order filters separately.

Using a HEPA-Filter and Scent Cartridge

- fig. 18** Remove HEPA Filter cover at back of machine by pressing down in top slot and folding back the cover. Lift cover to remove.
- fig. 19** Insert Fresh Air® Scent Cartridge on tab located in center of the filter cover.
- fig. 20** Place the HEPA Filter in the filter cover.
- fig. 18** Replace the HEPA Filter assembly on the canister by placing the bottom lip of the cover in the inside slot of the canister and closing the cover until the top latch is locked.
- NOTE:** It is recommended to replace the scent cartridge when the inner filter bag is replaced.
- Replace the HEPA filter every **6 months**. Replace more often if vacuum is used to pick up fine particles or in extremely dirty areas.